

**PUSH DOORS ONLY: Back Plate Mounting
Template Instructions**

Use this template only for doors that open out (PUSH).

- 1 Determine whether to mount the base on the inside or outside. Also determine the hand of door. Make sure to place the hinge side of the template to the hinge side of the door. See Figure 1.

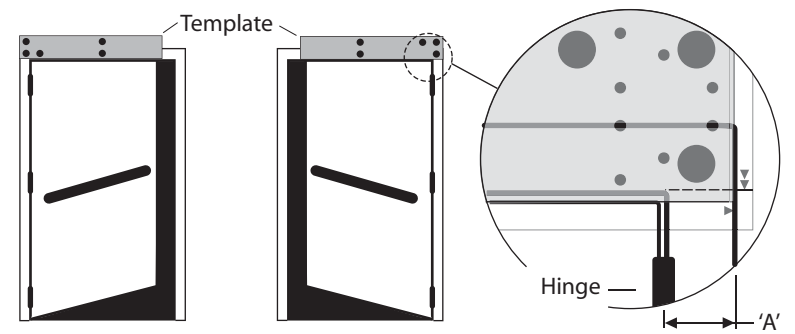


Figure 1 — Template orientation and alignment, bottom-side mounting shown

Note: Applies for all standard hinges. For special hinges (swing-clear or other) and offset pivots, consult your authorized dealer.

Note 2: Push-side mount: 'A' = 1 3/4 to 2"

- 2 Make sure that the mounting surface is clean, flat and structural. Modify the door and frame as necessary.

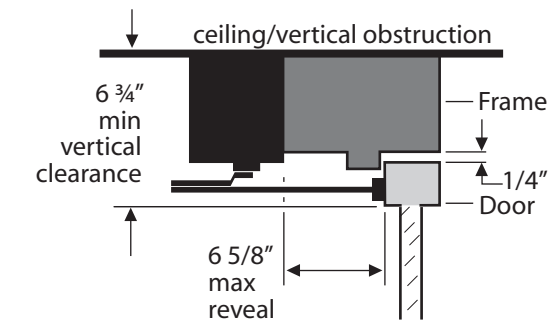


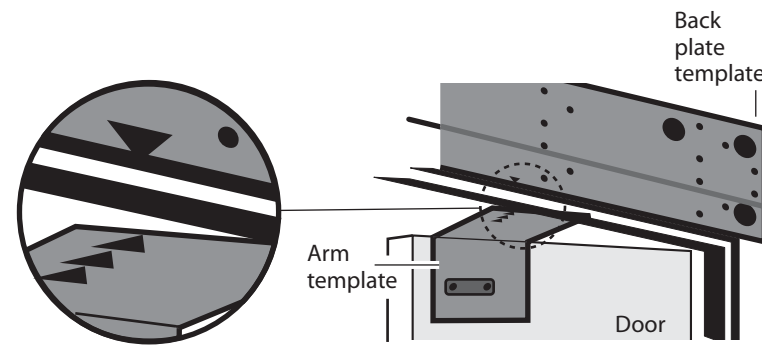
Figure 2 — Side view of door, frame and installed operator

- 3 Make sure that a minimum clearance height of 6 3/4" (172 mm) from ceiling to door mounting surface is unobstructed. Also make sure that the reveal is not greater than 6 5/8" (168 mm). See Figure 2.

- 4 Carefully peel off the template from the backing.

- 5 Position and place the template to the frame by aligning the horizontal and vertical lines to the door frame as shown in figure 1. Reposition the template if necessary. Make sure that the template lays flat across the frame.

Caution: Make sure to place the hinge side of the template on the hinge side of the frame.



Align arrows from back plate template to arm template.

Figure 3 — Aligning the back plate to the push arm template, right-hand door shown

- 6 If conduit is run or needs to be run, align conduit terminations to conduit access holes in the template.

- 7 Carefully peel off the Arm Template from its backing and carefully place it in position on the door as shown in Figure 3. Follow the instructions on the arm template.

- 8 Mark for drilling a minimum of six mounting holes that will fix the mounting plate to the frame. Make sure to use mounting holes at each end and in the middle of the back plate. There are a total of 22 mounting holes to choose from.

- 9 Mark for drilling conduit if needed.

- 10 Drill and tap the mounting holes. Use a #7, or 13/64", (0.201") drill and 1/4"-20 tap for the mounting screws. Remove the templates.

- 11 Remove the cover and motor/closer assembly and mount the back plate to the door frame.

- 12 Refer to the Installation Guide for complete installation details.

**D-4990 Low Energy Operator
PUSH ONLY: Back Plate
Mounting Template**

STANLEY DRWG DATE PN REV PRNT SPEC
05130-11-000 8/28/07 204050 A ER7991-42

phi Precision Hardware
a Division of Stanley Security Solutions, Inc.
www.stanleysecuritysolutions.com