

Left-hand door template

6 5/8" maximum reveal

6 3/16" standard hollow metal reveal

4 3/16" standard hollow metal reveal

4 1/4" standard aluminum reveal

3 3/16" standard hollow metal reveal

2 3/4" standard aluminum reveal

Align with arrow on the back plate mounting template. See Fig 1.

Align with arrow on the back plate mounting template. See Fig 1.

Right-hand door template

6 5/8" maximum reveal

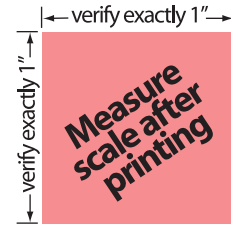
6 3/16" standard hollow metal reveal

4 3/16" standard hollow metal reveal

4 1/4" standard aluminum reveal

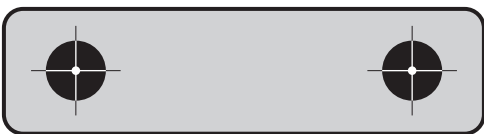
3 3/16" standard hollow metal reveal

2 3/4" standard aluminum reveal



Fold along this line and position at the top of the door.
OR

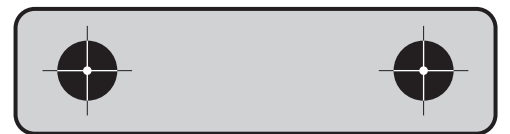
Fold along this line and position at the bottom of the door stop.



Operator arm 'foot'

Fold along this line and position at the top of the door.
OR

Fold along this line and position at the bottom of the door stop.



Operator arm 'foot'

Push Arm Mounting Template Instructions

Use this template only for doors that open OUT (PUSH). For doors that open in (pull) see the Track Arm Template, 05133-11.

- 1 Position and affix the Back Plate Mounting Template. See that template for instructions.
- 2 Determine the hand of the door and tear this template along the perforated edges. Use only the Left or Right-hand door template.
- 3 Fold the template along the "Top of door" line or "Door stop" line. This assumes a 5/8 inch door stop.
- 4 Peel off the adhesive strip from the back of this template and carefully place the template in position on the door by aligning the fold across the door edge or stop and align the arrow on the arm template to the arrow on the base template. Fold back or tear off excess.
- 5 Make sure that the template is straight and plumb. Reposition as needed.
- 6 Center punch the drill points for the operator arm 'foot.'
- 7 Drill and tap the mounting holes. Use a #17 or 11/64" (0.173") drill and 12-24 tap for the mounting screws. Remove the template.
- 8 Mount the push arm to the door. Refer to the installation manual for complete installation details.

Note: This template can be used for reveals up to 6 5/8".

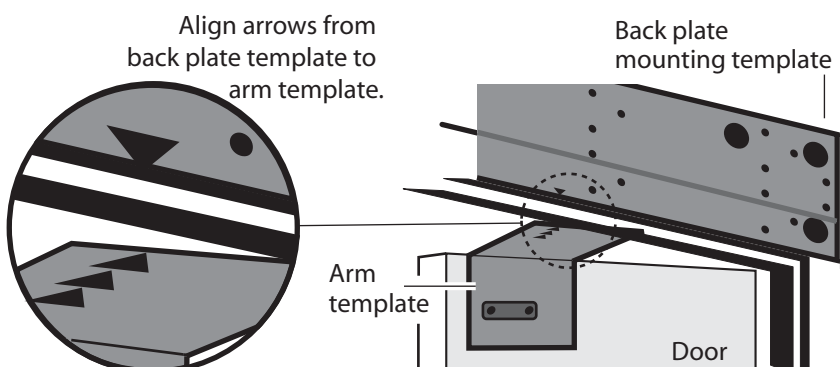


Fig 1 — Aligning the back plate mounting template to the arm template, right-hand shown

D-4990 Low Energy
Operator
Push Arm Mounting Template

DRWG 05132-11-000 8/28/07 204049 A ER7991-45
DATE 8/28/07 204049 A
REV 05132-11-000 8/28/07 204049 A ER7991-45
PRINT SPEC

STANLEY
lohi
Precision Hardware
a Division of Stanley Security Solutions, Inc.
www.stanleysecuritysolutions.com