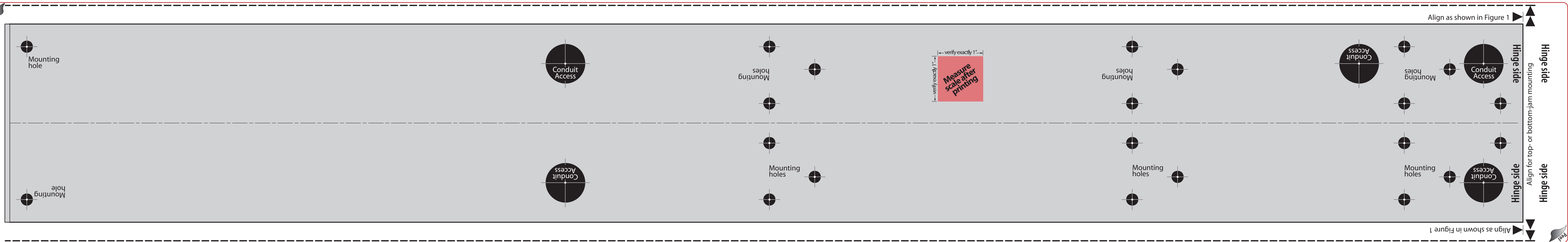


Save this backing.
See back for instructions.

Save this backing.
See back for instructions.



Save this backing.
See back for instructions.

Save this backing.
See back for instructions.

PULL DOORS ONLY: Back Plate Mounting Template Instructions

Use this template only for doors that open in (PULL).

- 1 Determine whether to mount the base on the inside or outside. Also determine the hand of door. Make sure to place the hinge side of the template to the hinge side of the door. See Figure 1.

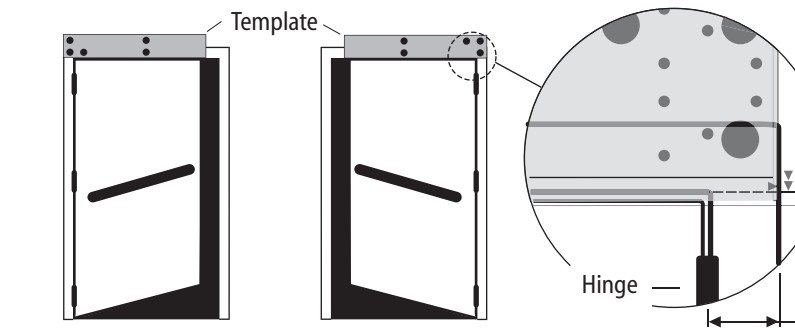


Figure 1 — Template orientation and alignment, bottom-side mounting shown

Note: Applies for all standard hinges. For special hinges (swing-clear, or other) and offset pivots, consult your authorized dealer.

Note 2: Pull-side mount: 'A' = 2"

- 2 Make sure that the mounting surface is clean, flat and structural. Modify the door and frame as necessary.

- 3 Make sure that a minimum clearance height of 6 1/4" (172 mm) from ceiling to door mounting surface is unobstructed. Also make sure that the reveal is not greater than 1/8" (3 mm) or less. See Figure 2.

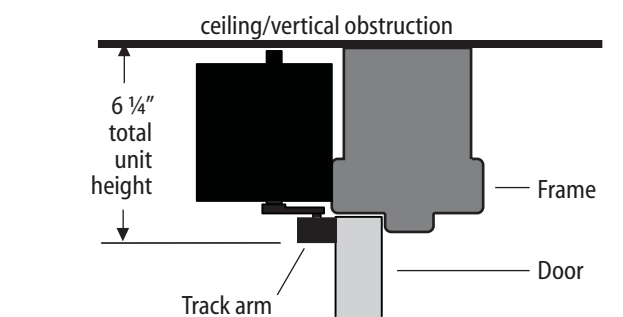


Figure 2 — Side view of door, frame and installed operator

- 4 Carefully peel off the template from the backing.
- 5 Position and place the template to the frame by aligning the horizontal and vertical lines to the door frame as shown in Figure 1. Reposition the template if necessary. Make sure that the template lays flat across the frame.

Caution: Make sure to place the hinge side of the template on the hinge side of the frame.

- 6 If conduit is run or needs to be run, align conduit terminations to conduit access holes in the template.

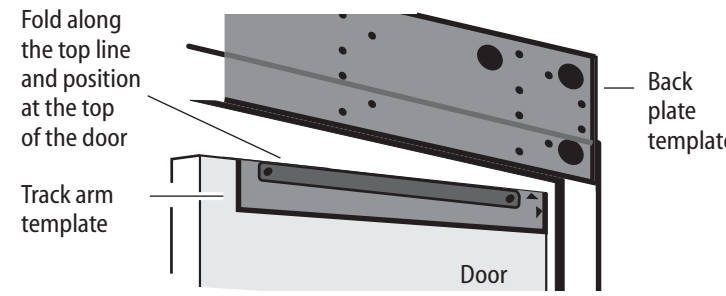


Figure 3 — Aligning the back plate to the push arm template, right-hand door shown

- 7 Carefully place the Track Arm Mounting Template in position on the door as shown in Figure 3. Follow the instructions on the template.
- 8 Mark for drilling a minimum of six mounting holes on the base. Make sure to use mounting holes at each end and in the middle of the back plate. There are a total of 22 mounting holes to choose from.
- 9 Mark for drilling conduit if needed.
- 10 Drill and tap the mounting holes. Use a #7, or 13/64", (0.201") drill and 1/4"-20 tap for the mounting screws. Remove templates.

- 11 Remove the cover and motor/closer assembly and mount the back plate to the door frame.
- 12 Refer to the Installation Guide for complete details.

**D-4990 Low Energy Operator
PULL ONLY: Back Plate
Mounting Template**

STANLEY DRWG DATE PN REV PRNT SPEC
05143-11-000 12/03/07 204054 A ER7991-42

phi Precision Hardware
a Division of Stanley Security Solutions, Inc.
www.stanleysecuritysolutions.com