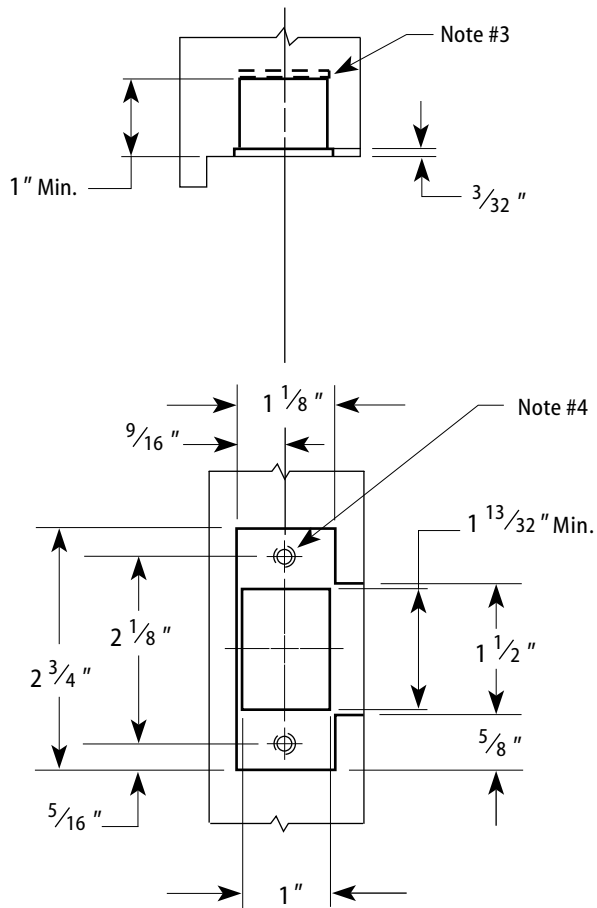


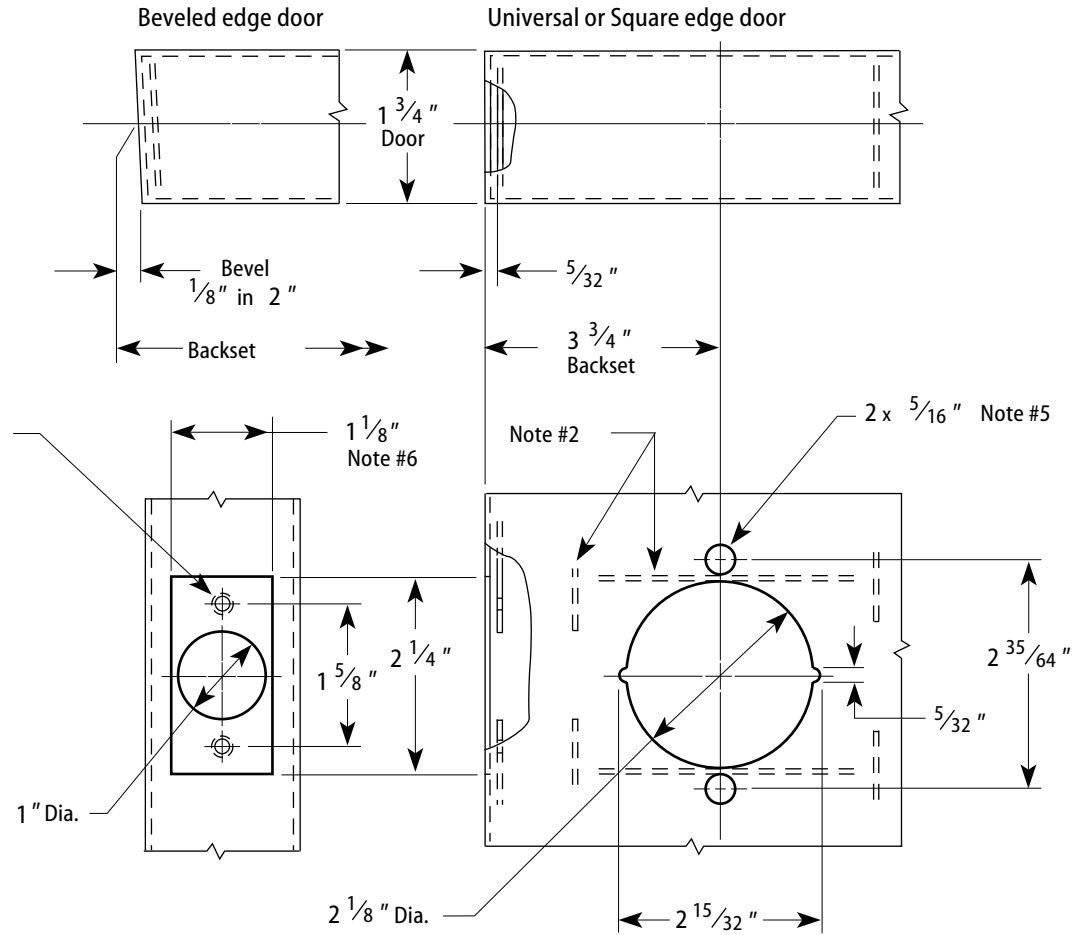
Title		Door & Frame Preparation for 64K, 84K, & 94K Cylindrical Locks	
Series	64K, 84K, 94K	Backset	3 3/4"
Strike	Small ANSI strike (STK)	Door thickness	1 3/4"
Rev date	06/1/999	Template number	K10
Rev	E	BEST ACCESS SYSTEMS	

Notes

- 1 Allow plus tolerance for clearance per ANSI A115.2.
- 2 Lock and latch case support by door manufacturer.
- 3 Plaster guard by door manufacturer
- 4 Prepare for a #8-32 screw.
- 5 For 94K only! The 64K and 84K "C" style roses will not cover these holes.
- 6 For 64K only, a 1" latch face is available.



Frame Preparation



3 3/4" Backset Door Preparation