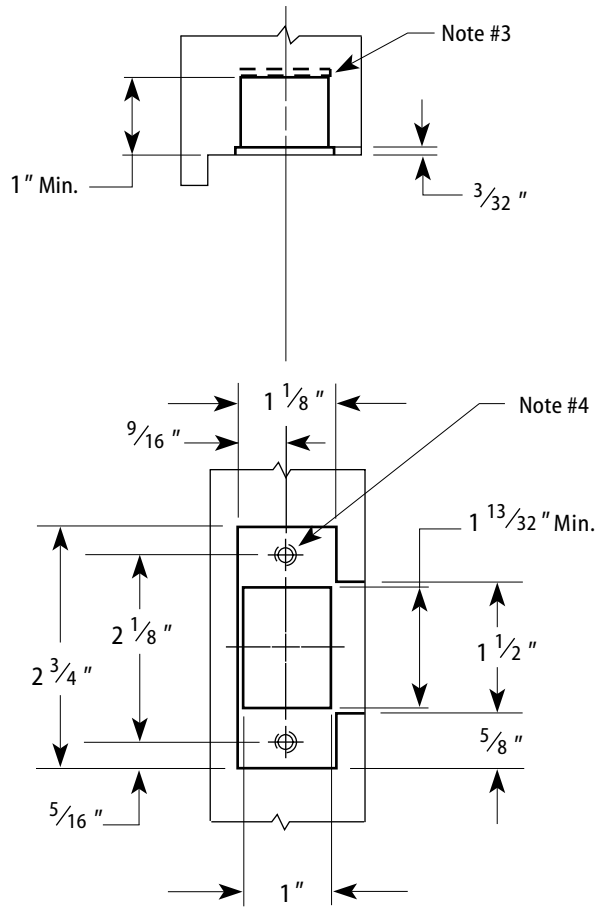


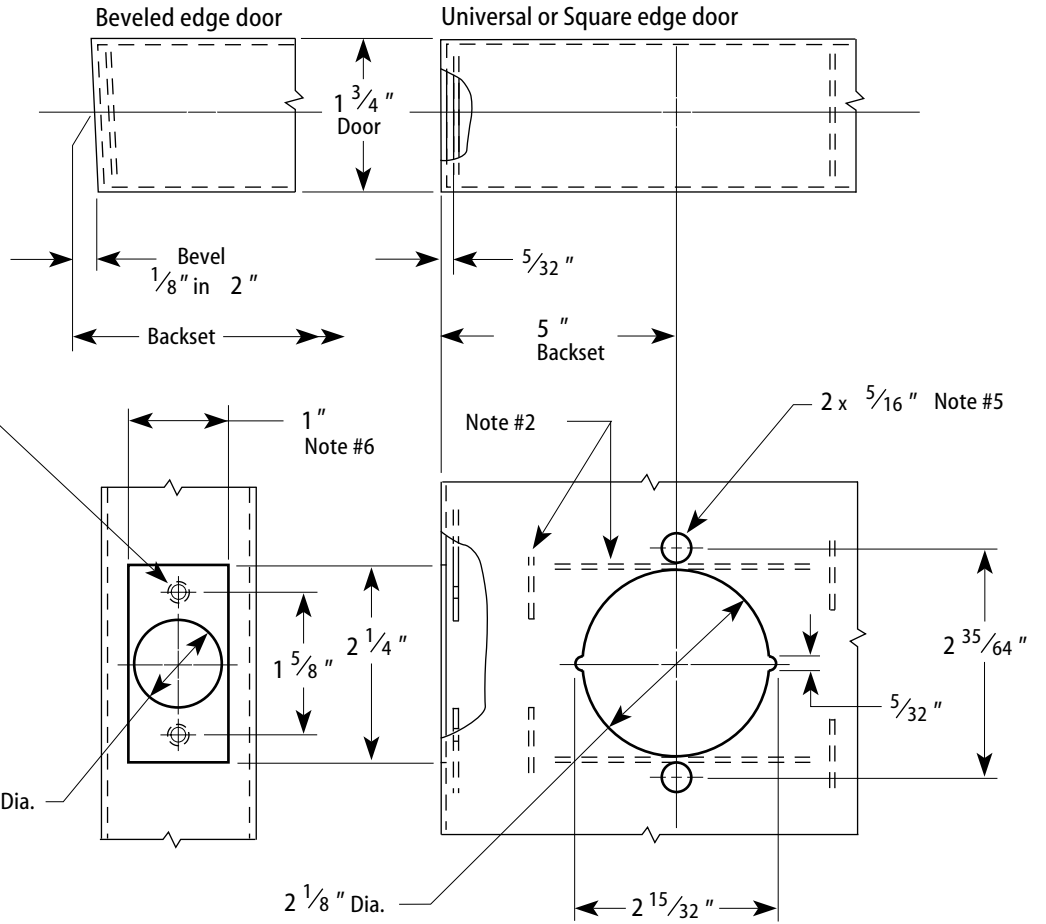
Series		Backset		Strike		Door thickness		Rev date		Template		Rev	
65K, 85K, 95K		5"		Small ANSI strike (STK)		1 3/4"		06/1999		K12		D	
BEST ACCESS SYSTEMS Title: Door & Frame Preparation for 65K, 85K, & 95K Cylindrical Locks													

Notes

- 1 Allow plus tolerance for clearance per ANSI A115.2.
- 2 Lock and latch case support by door manufacturer.
- 3 Plaster guard by door manufacturer
- 4 Prepare for a #8-32 screw.
- 5 For 95K only! The 65K and 85K "C" style roses will not cover these holes.
- 6 For 65K only, a 1" latch face is available.



Frame Preparation



5" Backset Door Preparation