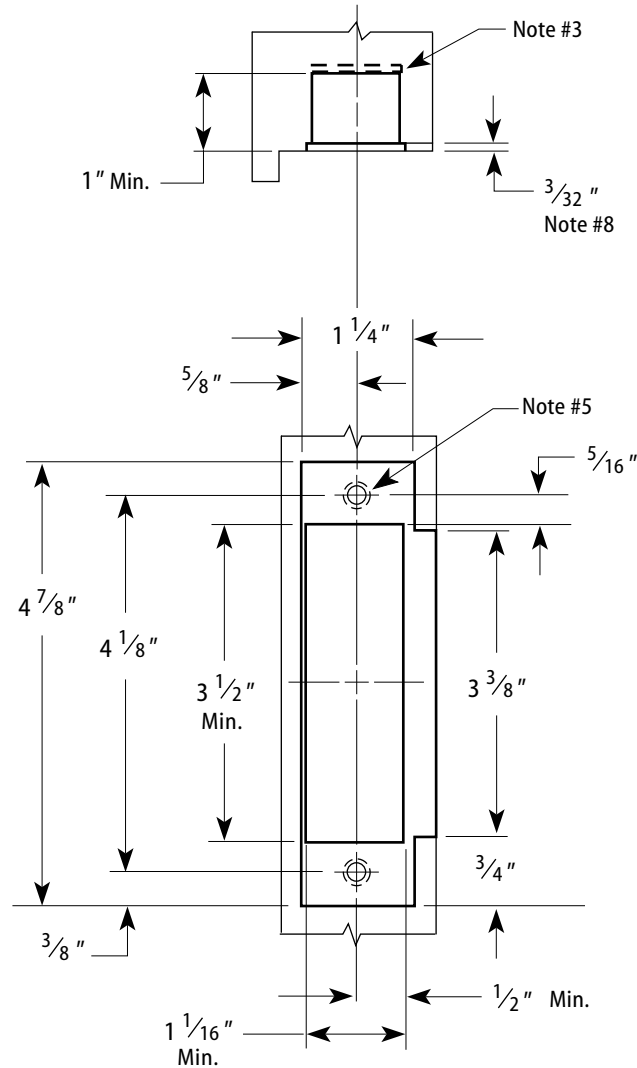


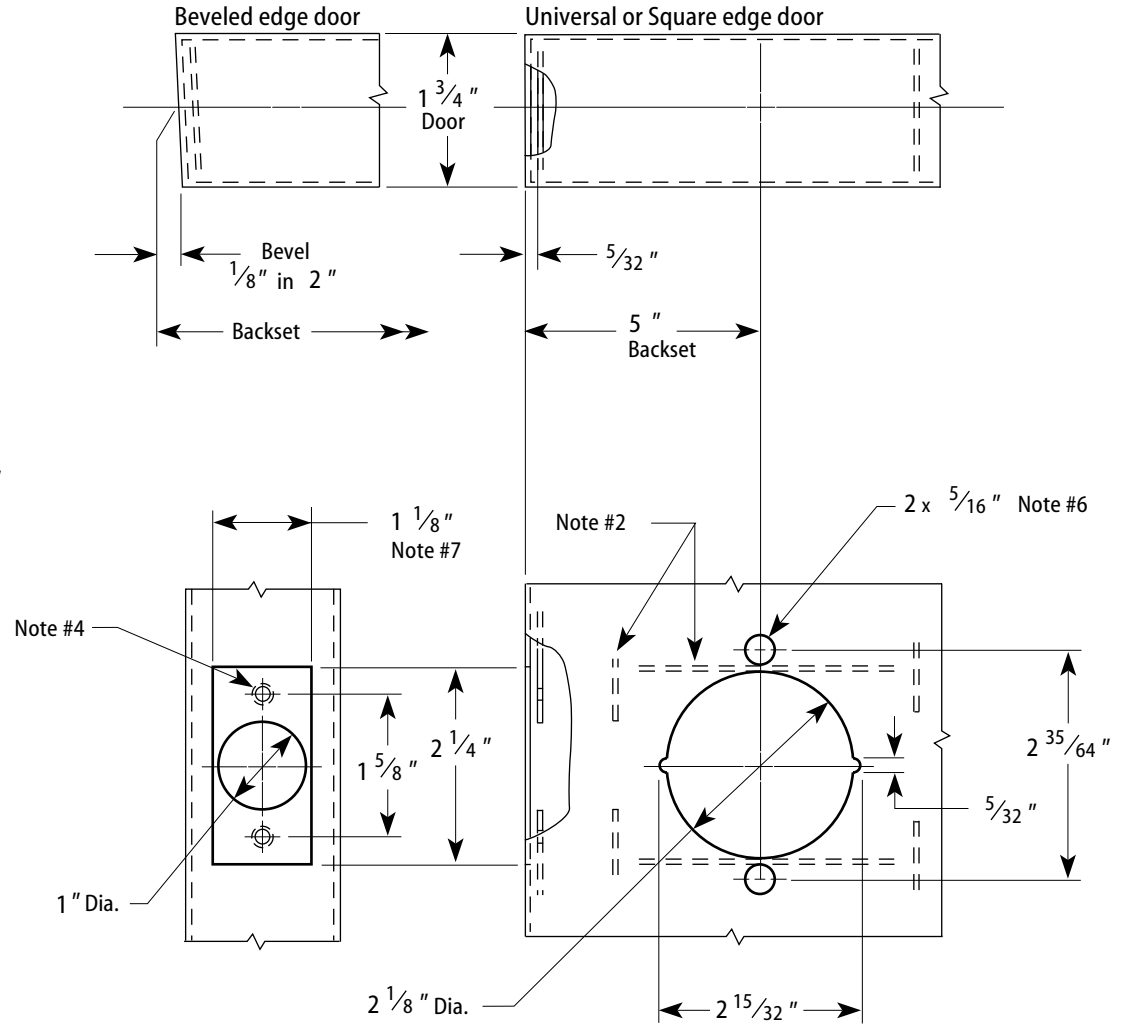
Title		Series		Backset		Strike		Door thickness		Rev date		Template number		Rev	
Door & Frame Preparation for 65K, 85K, 95K Cylindrical Locks		65K, 85K, 95K		5"		Large ANSI strike (STK)		1 3/4"		06/1999		K13		D	
<b>BEST ACCESS SYSTEMS</b>															
T56057/Rev D 1797177 ER-7991-1															

### Notes

- 1 Allow plus tolerance for clearance per ANSI A115.2.
- 2 Lock and latch case support by door manufacturer.
- 3 Plaster guard by door manufacturer
- 4 Prepare for a #8-32 screw.
- 5 Prepare for a #12-32 screw.
- 6 For 95K only! The 65K and 85K "C" style roses will not cover these holes.
- 7 For 65K only, a 1" latch face is available.
- 8 When a strike box is used, 9/64".



Frame Preparation



5" Backset Door Preparation