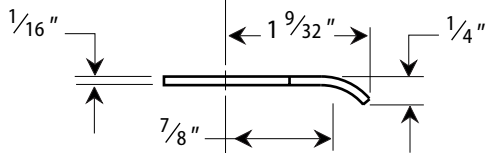
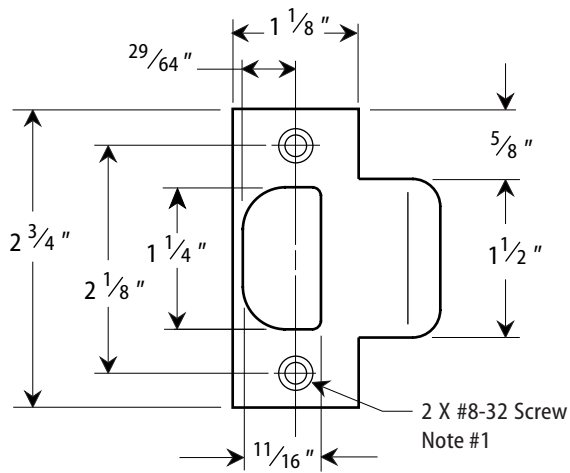
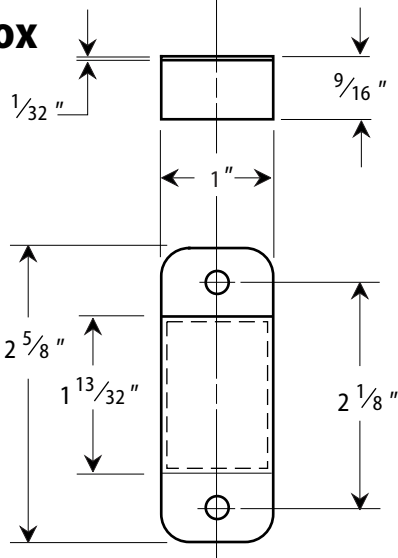


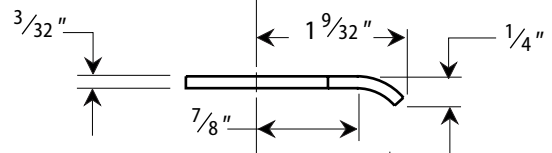
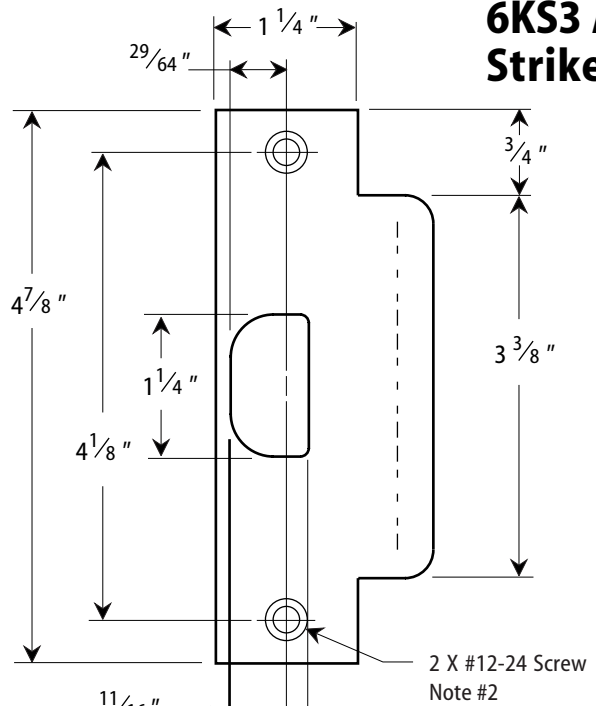
6KSTK Strike



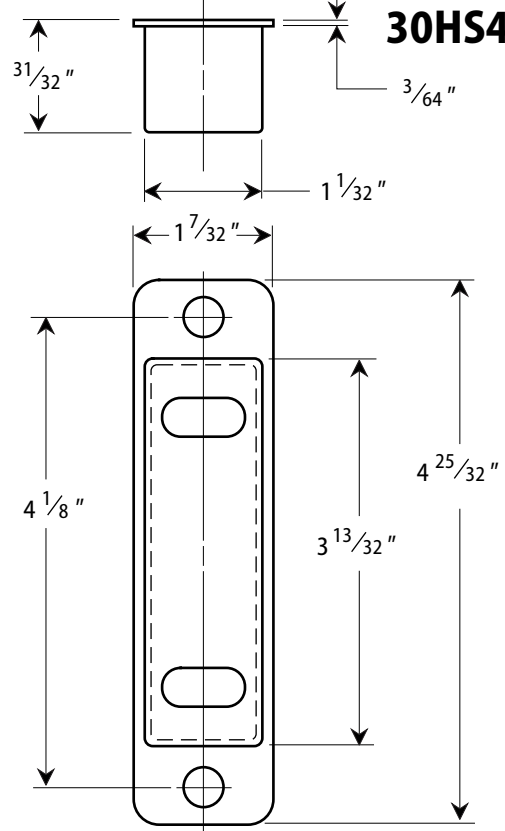
8KS1 Box



6KS3 ANSI Strike



30HS4 Box

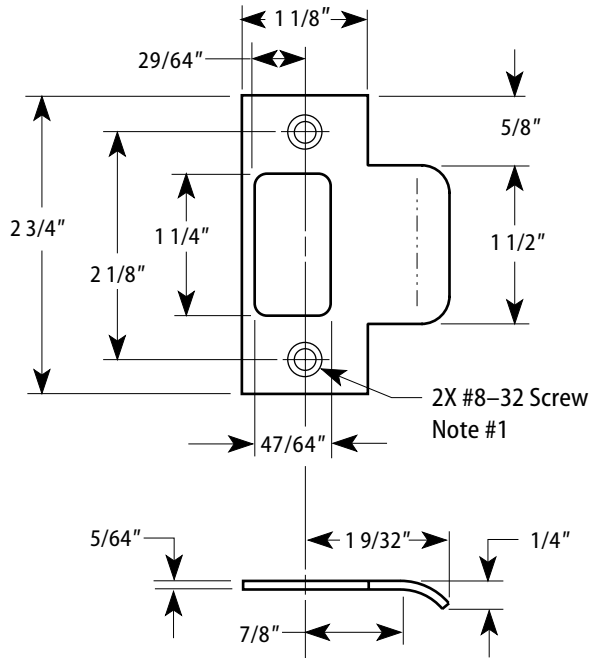


Notes

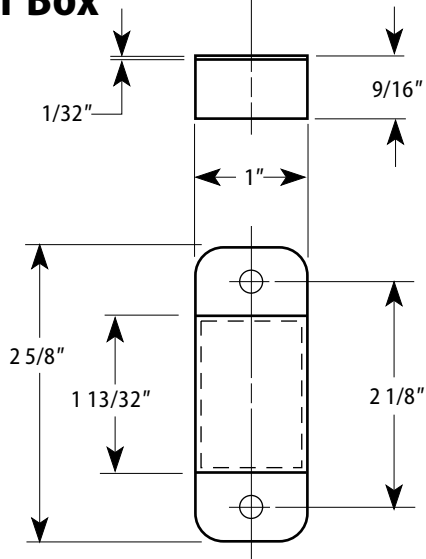
- 1 Prepare for a #8-32 machine screw or for a #8 wood screw (combination screw supplied).
- 2 Prepare for a #12-24 machine screw or for a #12 wood screw (combination screw supplied).
- 3 Allow plus tolerance for clearance per ANSI A115.2.

Title Strike Specifications for 6K, 8K, and 9K Cylindrical Locks				BEST ACCESS SYSTEMS			
Series 6K, 8K, 9K	Backset	Strike	Door thickness	Rev date 06/1999	Template number K21	Rev B	

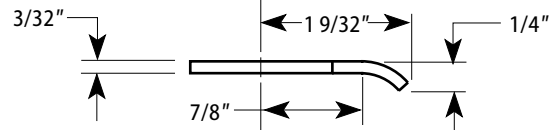
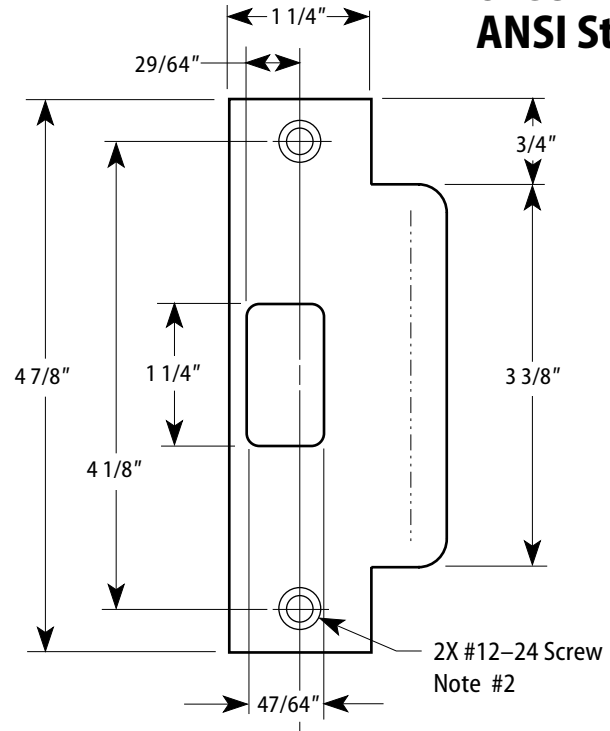
8KS2 Strike



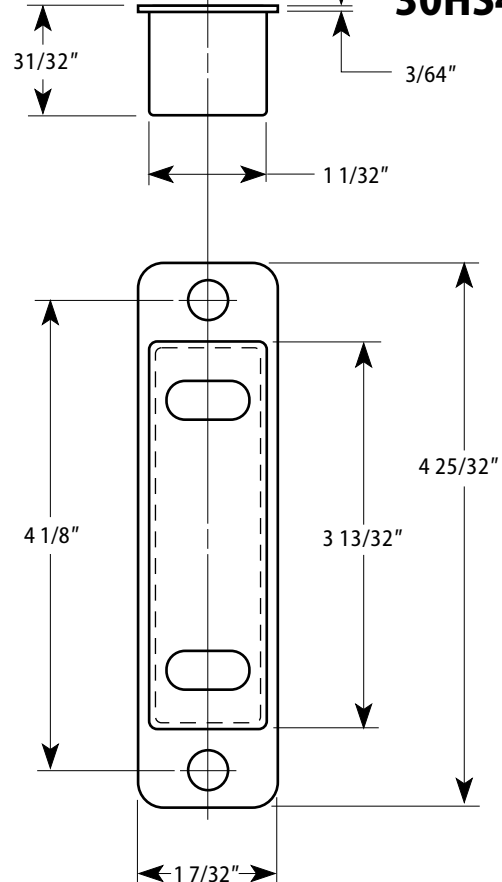
8KS1 Box



8KS3 ANSI Strike



30HS4 Box



Notes

- 1 Prepare for a #8-32 machine screw or for a #8 wood screw (combination screw supplied).
- 2 Prepare for a #12-24 machine screw or for a #12 wood screw (combination screw supplied).
- 3 Allow plus tolerance for clearance per ANSI A115.2.