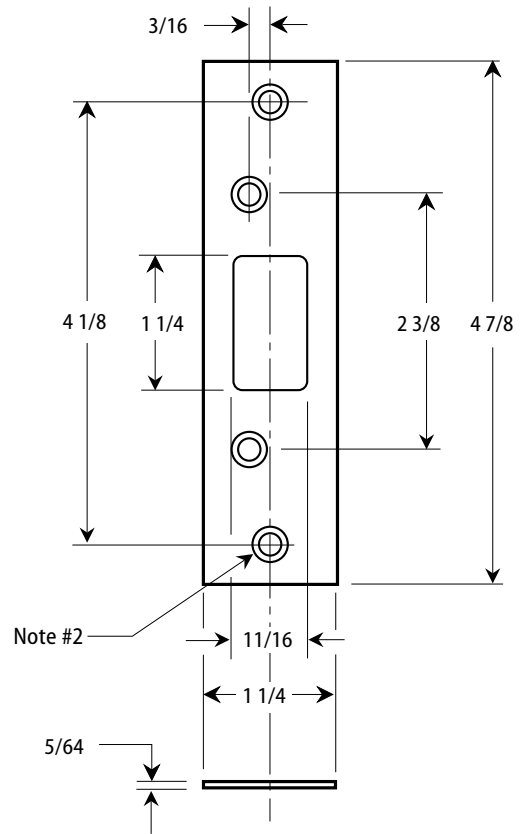
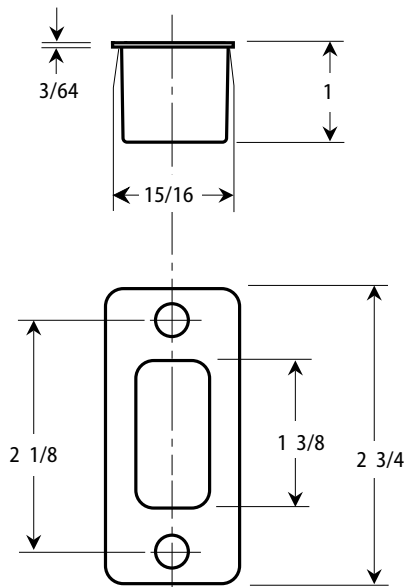


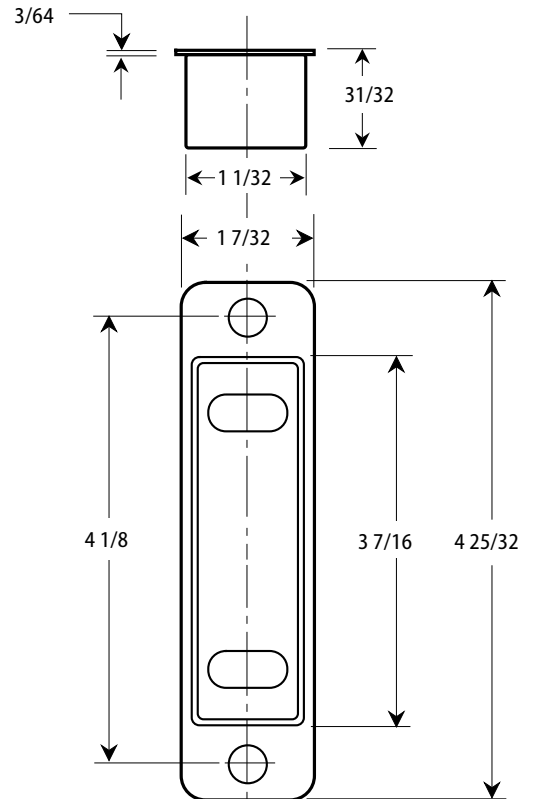
**Standard strike**



**8TS5 strike**



**Standard strike box**

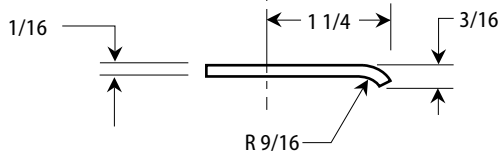
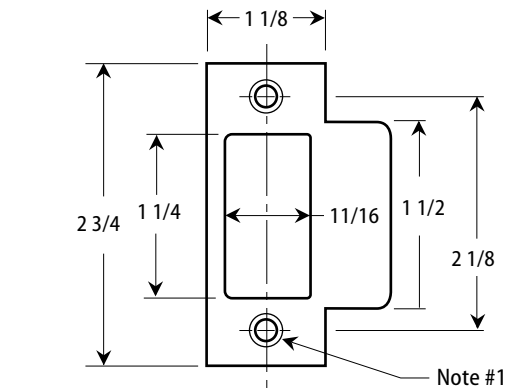


**30HS4 strike box**

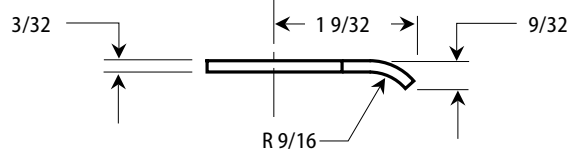
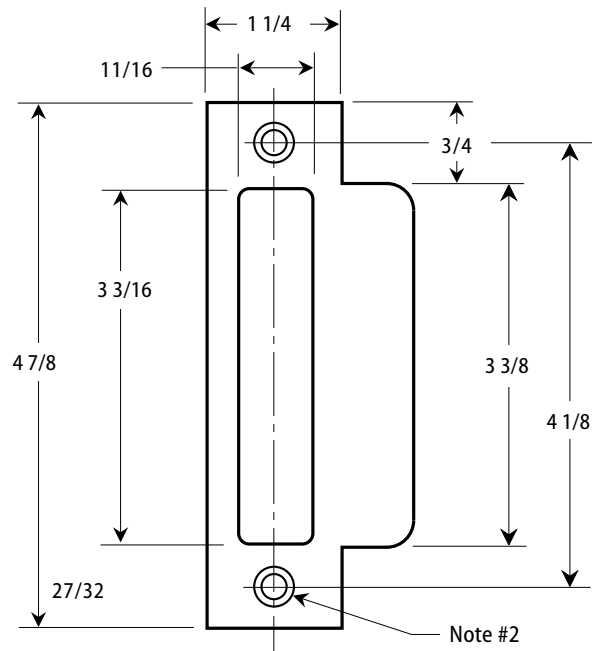
**Notes**

- 1 Prepare for a #8-32 screw.
- 2 Prepare for a #12-24 screw.
- 3 Allow plus tolerance for clearance per ANSI A115.2.

Title Strike Specifications for 72T/73T & 82T/83T Tubular Deadbolt Locks			<b>BEST ACCESS SYSTEMS</b>		
Series 72T/73T & 82T/83T	Backset 2 3/8" & 2 3/4"	Door thickness 72T/73T: 1 3/8"-2 1/8" 82T/83T: 1 3/8"-3"	Rev date 09/2000	Template number <b>T08</b>	Rev <b>A</b>



**8TS4 strike**



**8TS1 strike**