

Installation Instructions and Template for 5K Dummy Trim

Follow these instructions to install a 5K Dummy Trim Lever.

Note: The 5K Dummy Trim Lever can only be installed onto one side of the door. Two dummy trim levers cannot be installed back-to-back unless the levers are positioned offset.

1 Mark door and drill hole

Note: Suggested height from floor to centerline of the dummy trim is 40 5/16" (1.024 m).

- 1 Cut out the *Template for 5K Dummy Trim* from this instruction and place it in position aligning the dashed line to the edge of the door. See Figure 1.

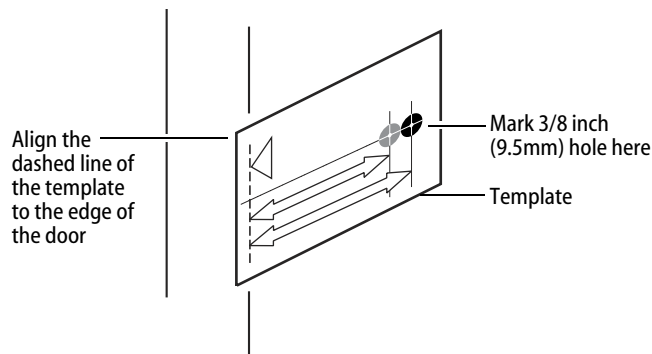


Figure 1 Marking the door with the door template

- 2 Mark the drill point.
- 3 Drill a 3/8" (9.5mm) diameter hole through the door.

2 Install trim

- 1 Remove the liner from the rose as shown in Figure 2.
- 2 Position the liner so that the center hole is aligned with the hole drilled into the door as shown in Figure 2.
- 3 Surface mount the liner to the door with the two wood screws as shown in Figure 2.

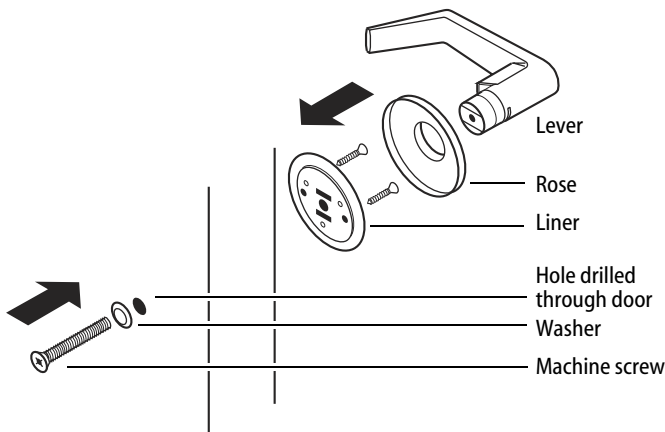


Figure 2 Installing the dummy trim

- 4 Insert the machine screw through the washer and then through the opposite side of the door.
- 5 Install the rose onto the liner so that it fits flush to the door face.
- 6 Tighten the lever onto the door

Template for 5K Dummy Trim

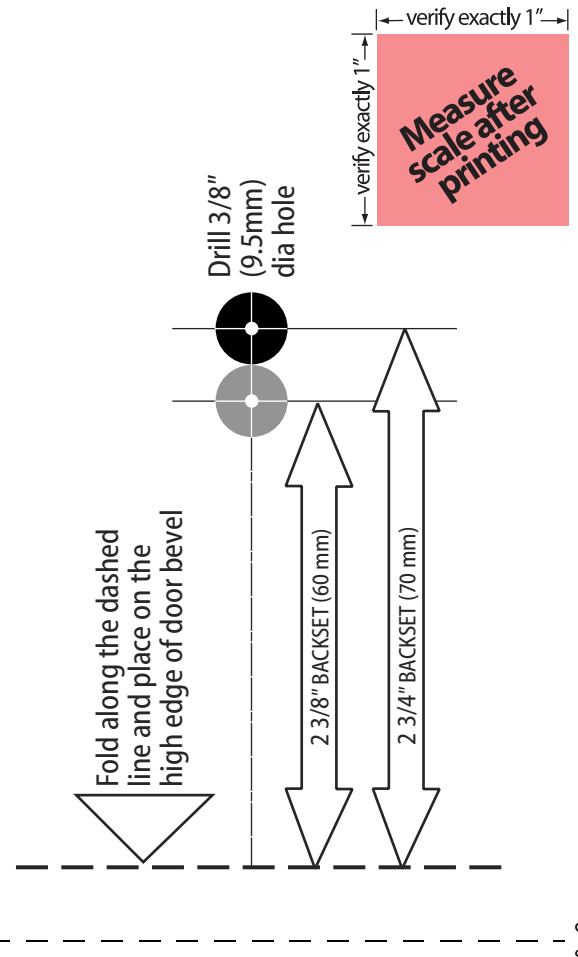


Figure 3 Cut out the template for 5K Dummy Trim