

## Installation Addendum for Stanley Omnilock 9KOM Extreme Weatherized Locks

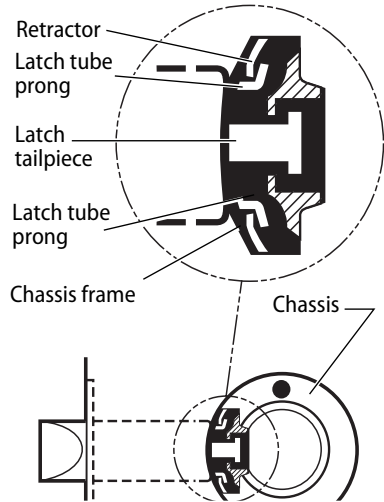
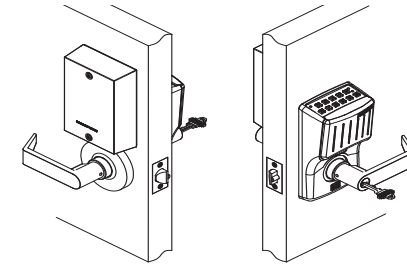


Figure 1 Installing the lock chassis and engaging the retractor in the latch

### 9KOM Extreme Weatherized Cylinder Locks

This addendum begins after step 6 of *Installation Instructions for Stanley Omnilock 9KOM Cylinder Locks T83303*.

- 1 From the outside of the door, insert the lock chassis and outside escutcheon into the 2 1/8" (54 mm) chassis hole.
- 2 Make sure that the latch tube prongs engage the chassis frame and that the latch tailpiece engages the retractor. See .
- 3 Thread connecting cables and grounding wire through the door cable hole. Use screws to attach the module bracket from the inside of the door. See Figure 2.

**Note:** Ensure that no wires are pinched when attaching the escutcheon to the door.

- 4 Connect the batteries and wires as shown in Figure 3.
- 5 Secure the extreme weather module cover with the security screws provided. See Figure 4.
- 6 Continue with step 10 of the *Installation Instructions for Stanley Omnilock 9KOM Cylindrical Locks (T83303)* to finish installation.

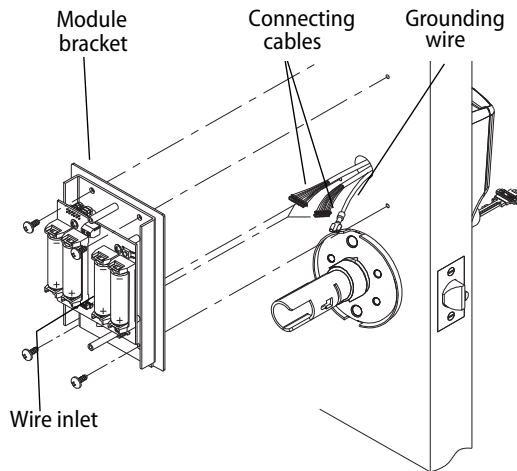


Figure 2 Inside circuit module

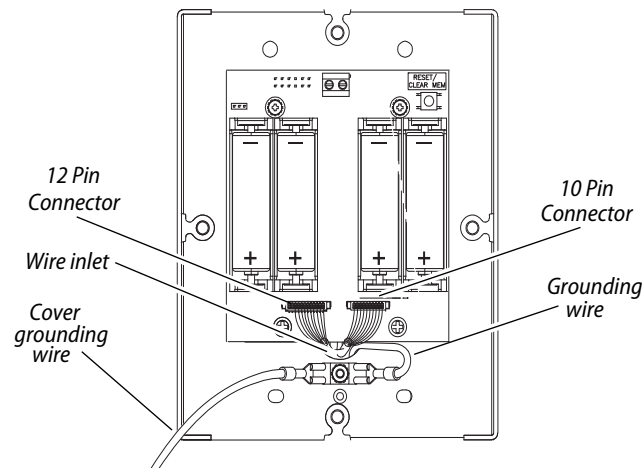


Figure 3 Wire connections to circuit module

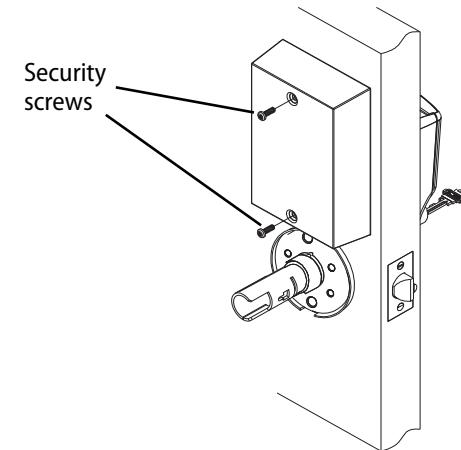
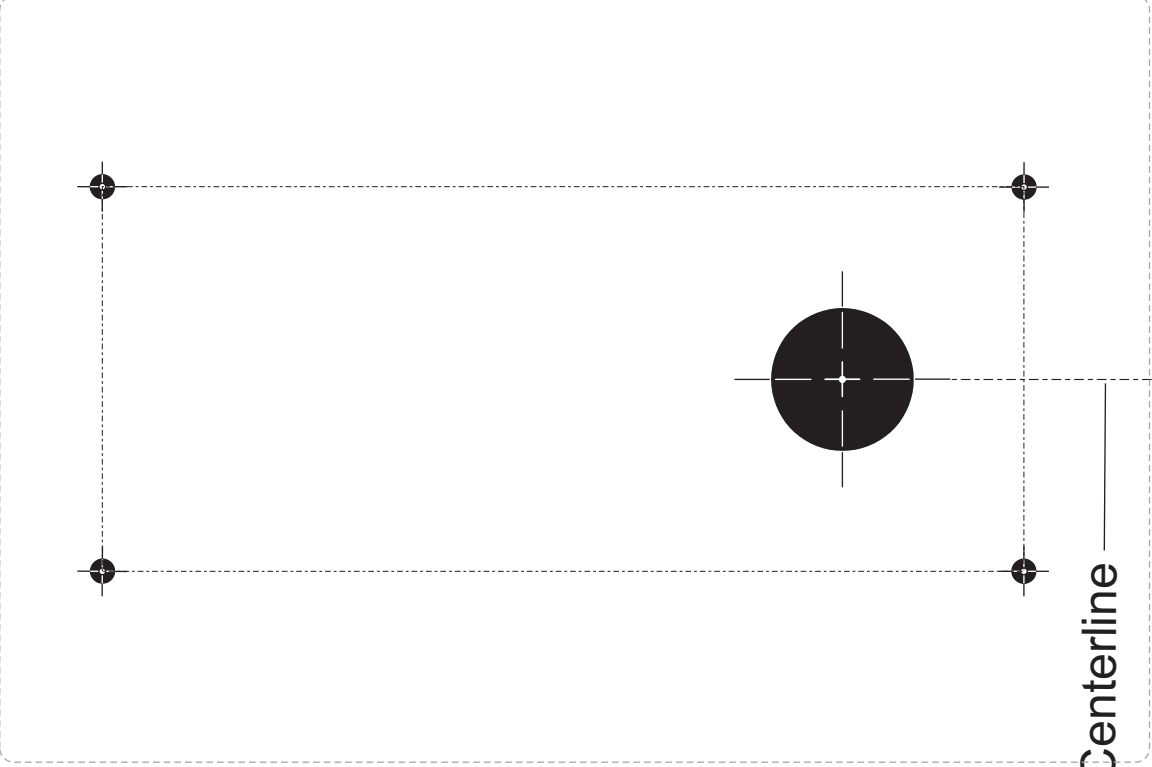


Figure 4 Inside view of weatherized model

← verify exactly 1" →  
← verify exactly 1" →  
**Measure  
scale after  
printing**

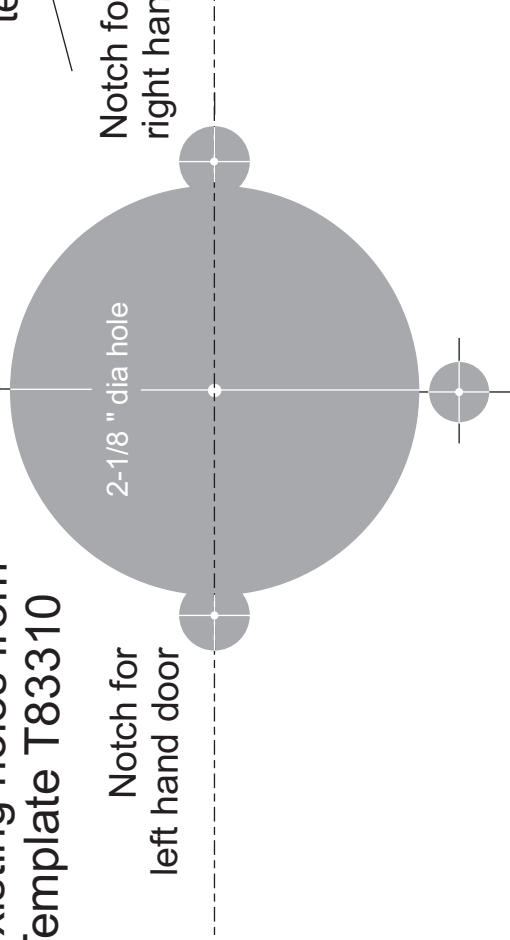


Inside door

Align to Vertical Centerline

Align template with  
existing holes from  
Template T83310

Drilled from  
template T83310



2-1/8 " dia hole

Notch for  
right hand door

Notch for  
left hand door

**Template for 9KOM Extreme  
Weatherized Cylinder Locks**

**STANLEY**

**OMNILOCK**

T83319/Rev A ER-7991-7 Jan 2010